

## Automatic Design of Analog Filter Using Genetic Algorithm

Naoki Arai, Nobukazu Takai, Biswas Sumit Kumar, Haruo Kobayashi

*Department of Electronic Engineering, Gunma University, JAPAN*

The more complicated the circuit configuration,  
the more **difficult for an engineer to design.**



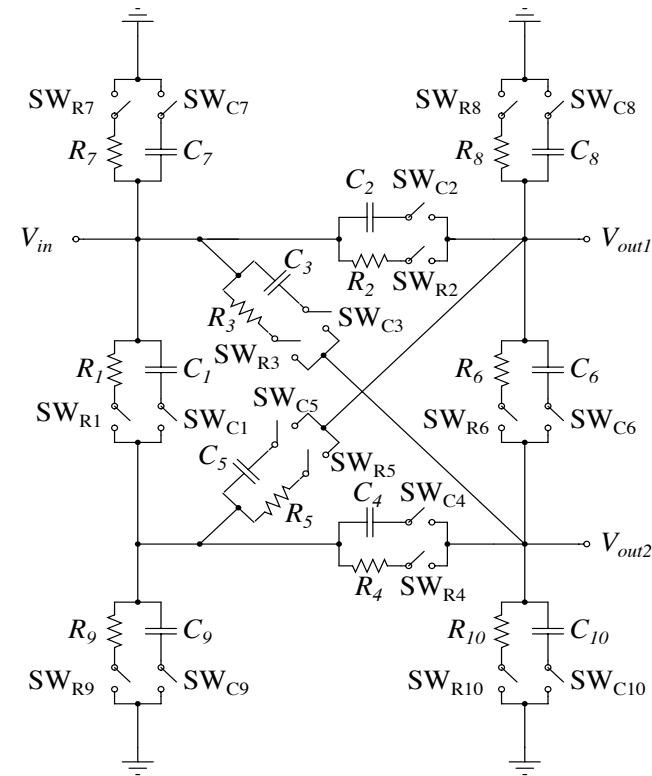
**Automatic design** by computer is demanded.

- Using switch operation of ON & OFF  
➡ **variety of circuit configurations**
- Using **genetic algorithm**



We have developed

Automatic design algorithm & software  
for analog filters



Target analog filter configuration