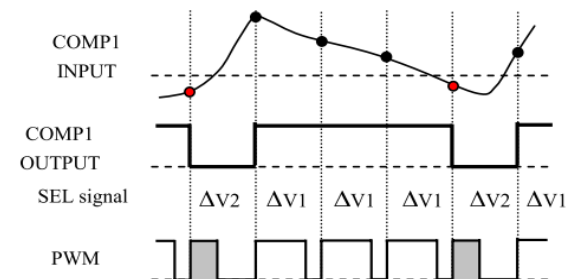
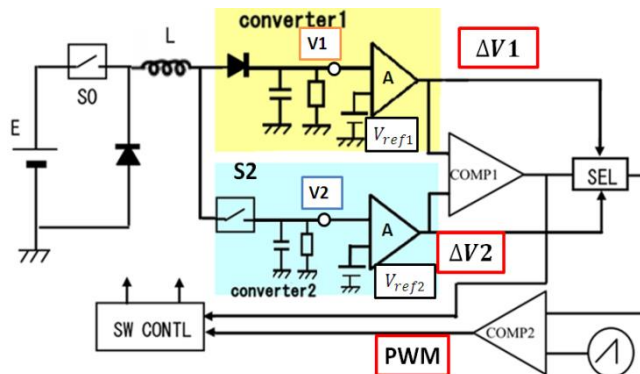


Single-Inductor Dual-Output DC-DC Converter Design with Exclusive Control

Y. Kobori, O Murong Li, Q. Zhu, F. Zhao, Z. Nosker,
S. Wu, S. N. Mohyar, H. Kobayashi, N. Takai
Department of Electronics, Gunma University

- Single-Inductor Dual-Output DC-DC Converter
 - Development of simple, low cost control method
- Proposal of Exclusive Control
 - Either ch1 or ch2 control in one period
 - Only a few additional components
 - No current sensor



Timing chart

Proposed control of single-inductor dual buck converters