

Implementation of Time-to-Digital Converter with Self-Calibration

Daiki Hirabayashi[†], Takeshi Chujot[†], Haruo Kobayashi[†], Kentaroh Kato^{††}, Koshi Sato[‡]

[†]Electronic Engineering Department, Gunma University

^{††}Tsuruoka National College of Technology [‡]Hikari Science

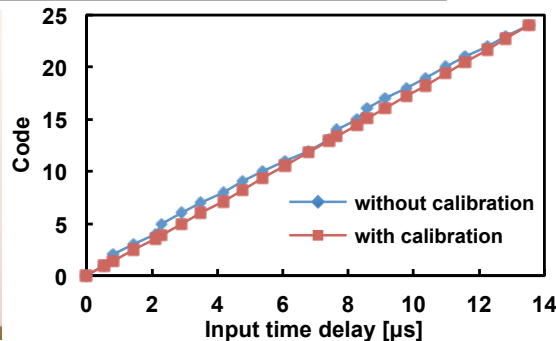
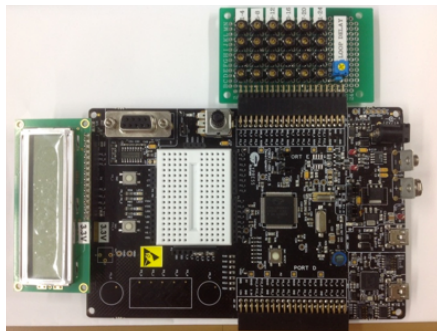
TDC measures the time interval
between the edges of two digital signals.

Our Work
Measure mismatches from histogram
&
Self-calibration

Improvement

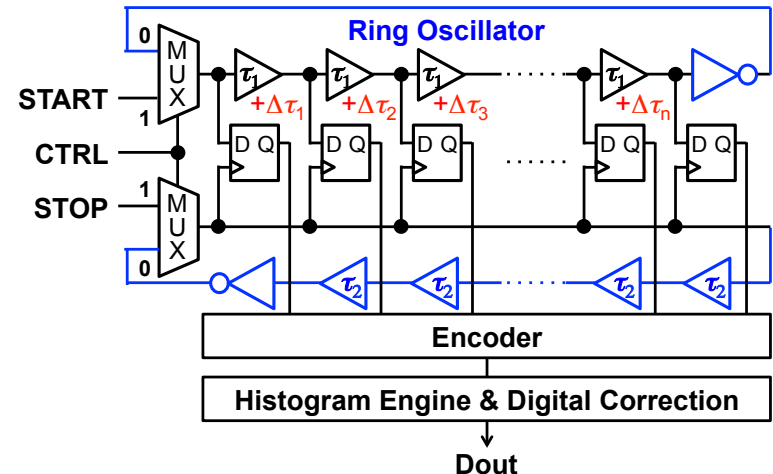
Nonlinearity due to mismatches of delay cells ($\Delta\tau$)

Implementation & Measurement Result



Nonlinearity reduction to 1/4

Proposed TDC



Conventional TDC

