

Triple-Band CMOS Low Noise Amplifier Design Utilizing Transformers

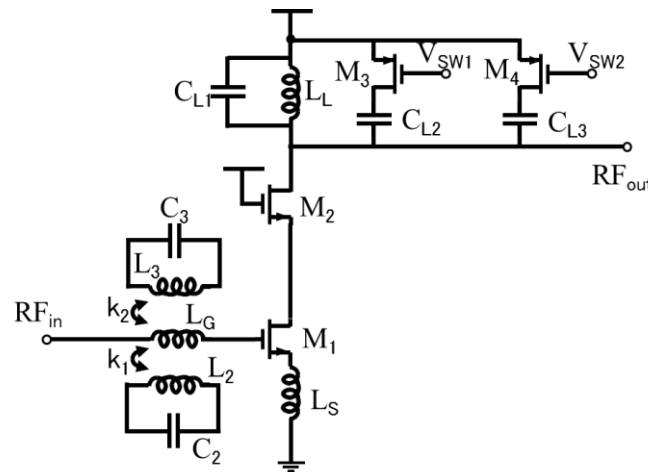
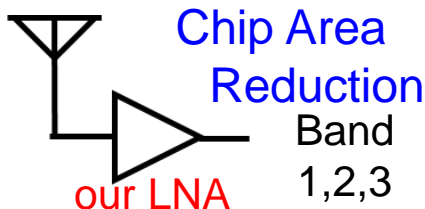
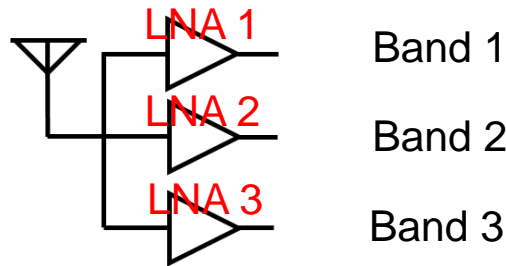
¹⁾Masataka Kamiyama, ¹⁾Daiki Oki, ¹⁾Satoru Kawauchi, ¹⁾Congbing Li,

¹⁾Nobuo Takahashi, ²⁾Seiichi Banba, ³⁾Toru Dan, ¹⁾Haruo Kobayashi

1) Gunma University 2) Toyohashi University of Technology 3) ON Semiconductor

Low Noise Amplifier(LNA) ··· Amplify small signal without noise & distortion

Objective Triple-Band performance for many wireless standards in one LNA



Proposed Triple-Band
LNA Circuit

Scattering Parameter Analysis
(Triple-Band Performance)

