

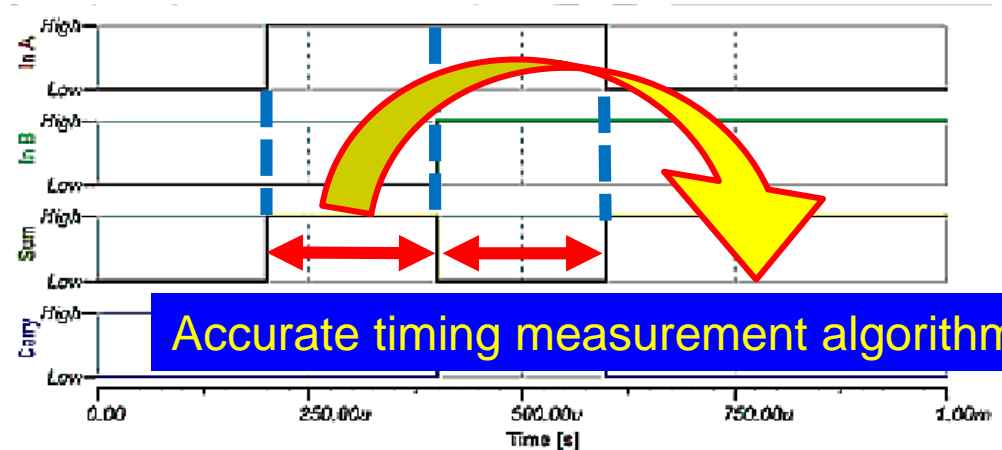
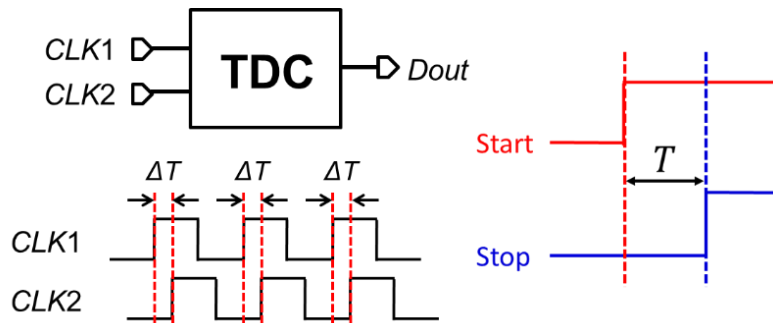
## Self-Calibration and Trigger Circuit for Two-Step SAR TDC

Takashi Ida, Yuki Ozawa, Jiang Richen,  
Haruo Kobayashi, and Ryoji Shiota

*Division of Electronics and Informatics, Gunma University, JAPAN*

*Socionext Inc., Kyoto, JAPAN*

### Time to Digital Converter (TDC)



### Innovation

Self-Calibration

➔ More accurate

Trigger Circuit

➔ One-shot timing measurement

### Application

High-Speed I/O Test

