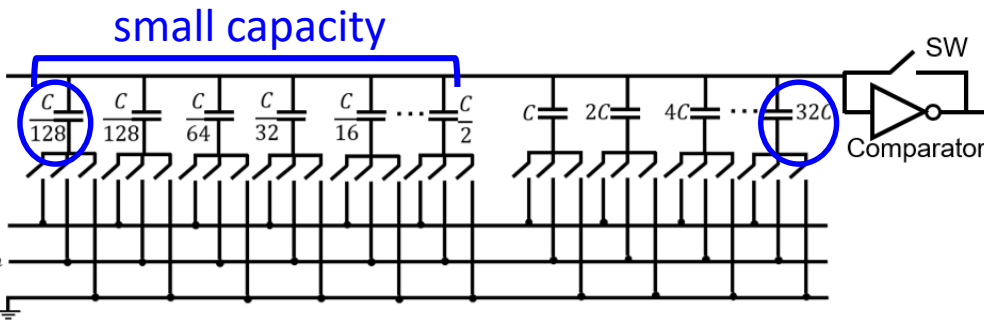


Charge Distribution SAR ADC Architecture with Split Capacitor and Its Testing

Riho Aoki, Anna Kuwana, and Haruo Kobayashi

Division of Electronics and Informatics, Gunma University, JAPAN

1) Circuit including small capacitor



1) Capacitor difference is large

Ex) $C/128 \ll 32C$

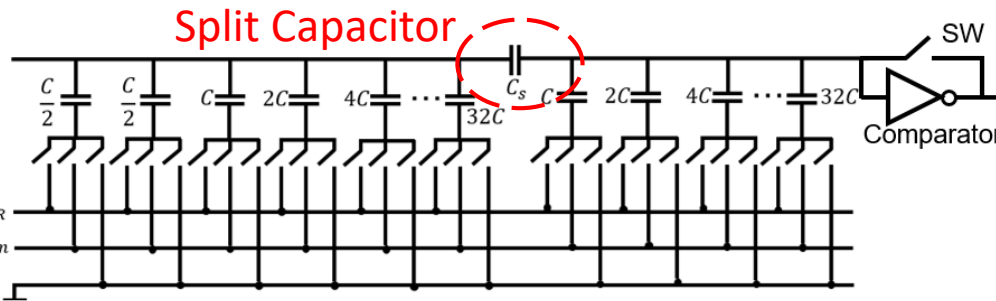


Hard to make accurately

2) Connect **Split Capacitor** in series.



2) Circuit including Split Capacitor



Large capacitor is equivalent to **small capacitor** in series.

Ex) $32C \Rightarrow C/2$ $4C \Rightarrow C/16$