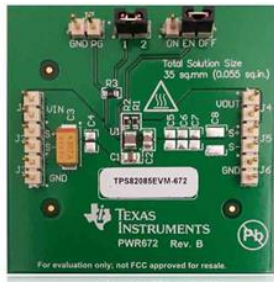


## Circuit Component Estimation in Buck Converter Using Efficiency Curve

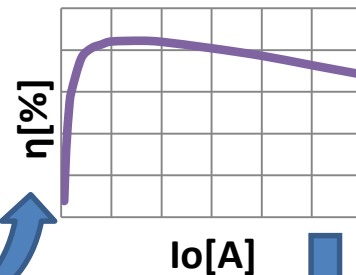
Shotaro Sakurai, Nobukazu Tsukiji, Yasunori Kobori, Haruo Kobayashi

*Division of Electronics and Informatics, Gunma University*

Implemented  
Power Supply

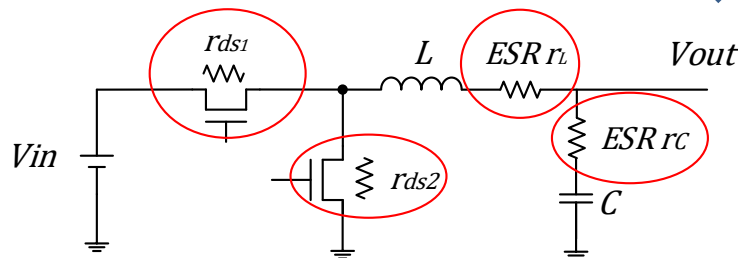


Measured  
Efficiency Curve



Estimate

Circuit Components



Problem

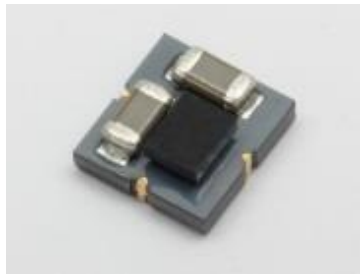
Can NOT measure directly  
circuit component values  
for phase compensation design.



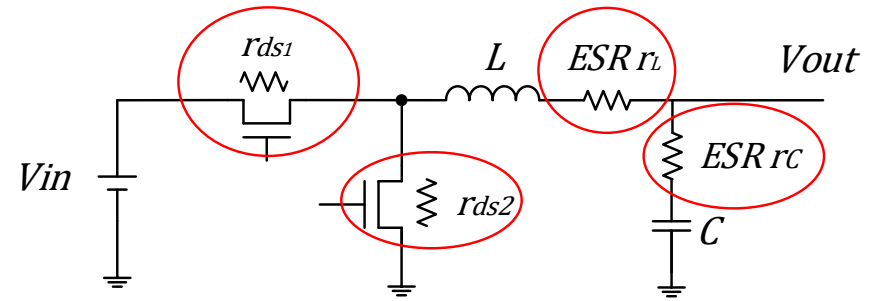
Purpose of this work

Estimate component values  
from measured efficiency curve.

## Implemented power supply



## Component values



## Measured efficiency curve

